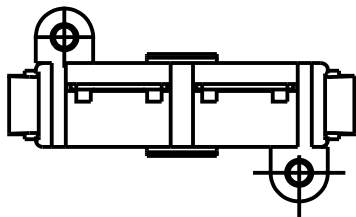
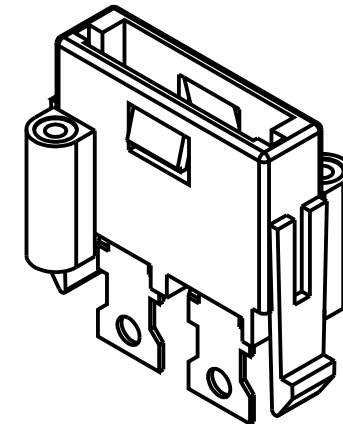
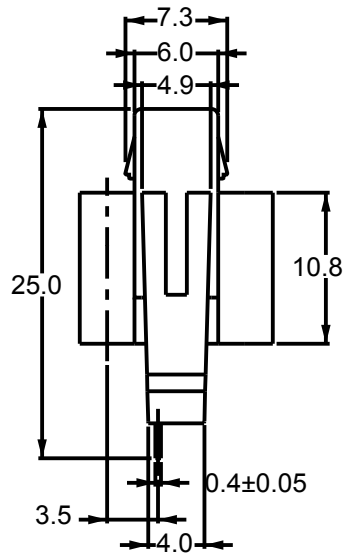
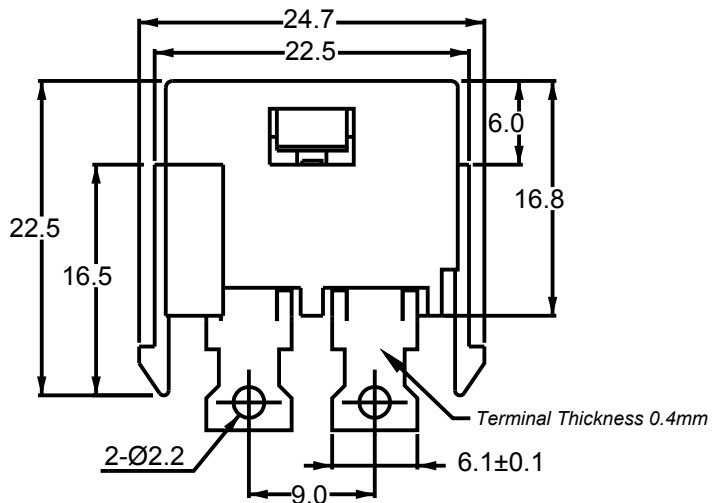


PANEL FUSEHOLDER FOR ATU FUSE
SPECIFICATIONS:
 Electrical:Max.20A 32V
 Insulating Body:Nylon
 Contacts:0.4mm Brass tin plated



DONGGUAN AMPFORT ELECTRONICS CO., LTD.

CUSTOMER NO.		DRAWN BR.	
CHECKED BY.		APPROVED BY.	
PART NO.	A-703F	DRAWING NO.	BA05033002
SCALE.		DATE.	2019/12/16
TOLERANCE.		TITLE.	PANEL MOUNT FUSE HOLDER
DECIMALS	ANGULAR	UNLESS OTHERWISE SPECIFIED DIMENSIONS ARE IN MM DO NOT SCALE DRAWING	
X ±0.5	±2°		
XX ±0.25			